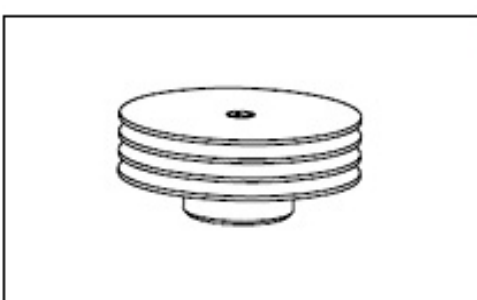


## 9-1542003-5 Product Details

**Live Product Chat** US Only  
8:30am - 5pm ET, Mon - Fri



### 9-1542003-5

TE Part Number: 9-1542003-5

✓ Active

➤ [Add to Part List](#)

### Heat Sink Assemblies

✓ [Converted to EU RoHS/ELV Compliant \(Statement of Compliance\)](#)

#### Product Highlights:

- Heat Sink
- BGA
- Package Size = 40 [1.576] mm [in]
- For Use With BGA Semiconductor Packages
- Power Air Velocity Thermal Resistance

[View all Features](#) | [Find Similar Products](#)

### Quick Links

- ▶ [Check Pricing & Availability](#)
- ▶ [Search for Tooling](#)
- ▶ [Product Feature Selector](#)
- ▶ [Contact Us About This Product](#)

### Documentation & Additional Information

#### Product Drawings:

- [40mm HS ASSEMBLY \(HTS683-U\)](#) (PDF, English)

#### Catalog Pages/Data Sheets:

- None Available

#### Product Specifications:

- None Available

#### Application Specifications:

- None Available

#### Instruction Sheets:

- None Available

#### CAD Files:

- None Available

#### Additional Information:

- [Product Line Information](#)

#### Additional Product Images:

- [Line Drawing](#)
- [Thermal Resistance Chart](#)

#### Related Products:

- [Tooling](#)

[List all Documents](#)

### Product Features (Please use the Product Drawing for all design activity)

#### Product Type Features:

- [Product Type](#) = Heat Sink
- [Device Type](#) = BGA
- [For Use With](#) = BGA Semiconductor Packages
- Finish = Black Anodize
- Material = Aluminum
- Comment = Mounting clip does not increase overall heat sink height.; Heat sink assembly includes Four Leg Standard Clip, Part Number 1542357-1.

#### Electrical Characteristics:

- [Heat Sink Type](#) = 4 Fin Radial

#### Termination Related Features:

- [Height \(mm \[in\]\)](#) = 14.50 [0.571]

#### Body Related Features:

- [Package Size \(mm \[in\]\)](#) = 40 [1.576]
- Flammability Rating = UL 94V-0

#### Configuration Related Features:

- [Diameter \(mm \[in\]\)](#) = 50.80 [2.000]

#### Industry Standards:

- [RoHS/ELV Compliance](#) = RoHS compliant, ELV compliant
- [Lead Free Solder Processes](#) = Not relevant for lead free process
- RoHS/ELV Compliance History = Converted to comply with RoHS directive

#### Other:

- Brand = Tyco Electronics
- Line = ChipCoolers

### Interrelated Features

When Power (W) is:	And Air Velocity is:	Thermal Resistance (°C) is:
5.0	0 LFM	8.75
5.0	200 LFM	3.80
5.0	400 LFM	2.30
5.0	600 LFM	2.13
10.0	0 LFM	7.87
10.0	200 LFM	3.79
10.0	400 LFM	2.20
10.0	600 LFM	1.89
15.0	0 LFM	7.37
15.0	200 LFM	3.69
15.0	400 LFM	2.19
15.0	600 LFM	1.88